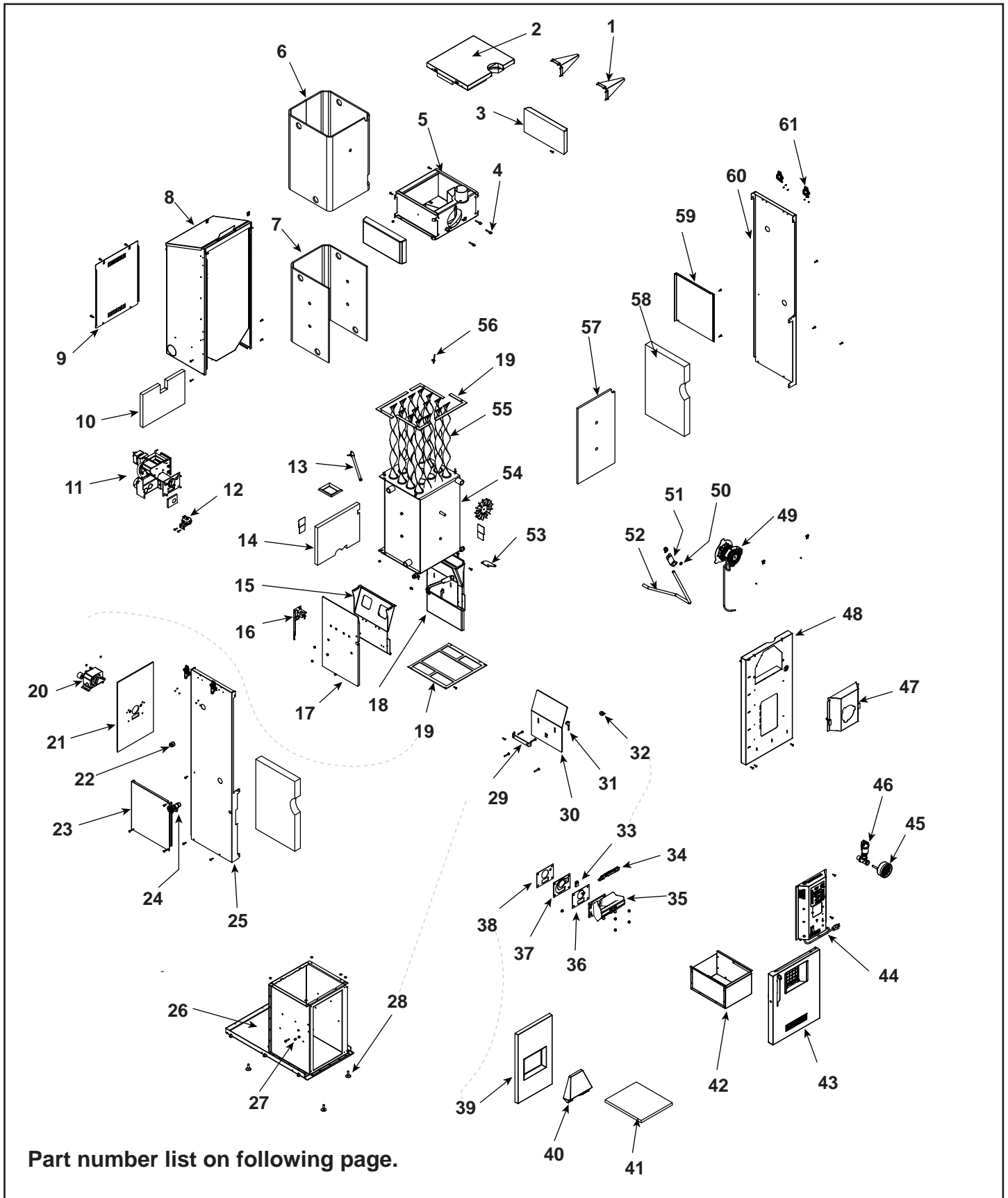


1-90-232000



Part number list on following page.

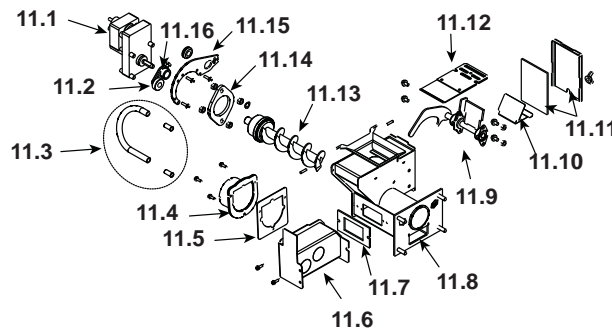
IMPORTANT: THIS IS DATED INFORMATION. When requesting service or replacement parts for your appliance please provide model number and serial number. All parts listed in this manual may be ordered from an authorized dealer.



**Stocked
at Depot**

ITEM	Description	COMMENTS	PART NUMBER	
1	Plumbing Support Kit - Qty. 2 req.		1-10-232044	
2	Firetube Cleanout Door Assembly		1-10-232060A	
3	Draft Section Refractory Side	Qty. 2 req.	3-40-232054	
4	1/4-20 x 1-1/2" Wingscrew with Collar	Pkg of 10	3-31-782124-10	Y
5	Draft Section Weldment		1-10-232011W	
6	1/2" Foam Insulation Wrap Around		3-44-232089	
7	1/2" Foam Insulation		3-44-232088	
8	Hopper Assembly		1-10-232034A	Y
	Gasket, Hopper Throat		3-44-677185	Y
	Gasket, Hopper Top	20 Ft	1-00-375501	Y
9	Feeder Shield Rear		2-00-232039B	Y
10	1" Foil Faced Fiberglass Insulation		3-44-232085	

#11 Feeder Assembly



11	UL Feeder Assembly		1-10-232108A	
11.1	Pellet Feeder Gear Motor, 6RPM		3-20-09302	Y
	Feed Motor Fan Blade	Pkg of 3	3-20-09302-3	Y
11.2	UL Feeder Cam		3-31-3014	Y
11.3	Feeder Air Crossover Kit		1-00-67900	Y
	9MM Silicone Tube	5 Ft	1-00-511427	Y
11.4	Pellet Air Intake Assembly		1-10-06810A	
11.5	Gasket Feeder Air Intake	Pkg of 6	3-44-72224-6	Y
11.6	UL Feeder Air Intake		1-10-72222	
11.7	Gasket Ultra Air Intake	Pkg of 10	3-44-677160-10	Y
11.8	Ultra Feeder Weldment		1-10-72226S	Y
11.9	UL Feeder Pusher Arm		1-10-677187W	Y
11.10	Fines Deflector	No longer available	2-00-677138-10	
11.11	Gasket, UL Feeder Cover	Set of 2	1-00-677122	Y
11.12	Slide Plate Assembly		1-10-677121A	Y
11.13	UL Feeder Auger Assembly		3-50-00565	Y
11.14	Bearing Flange w/Hardware		1-00-04035	Y
11.15	UL Feeder Gear Motor Bracket w/Grommet		1-00-247406	Y
11.16	UL Feeder Cam Block		3-00-677154	Y

Additional service part numbers on the following page.

IMPORTANT: THIS IS DATED INFORMATION. When requesting service or replacement parts for your appliance please provide model number and serial number. All parts listed in this manual may be ordered from an authorized dealer.



**Stocked
at Depot**

ITEM	Description	COMMENTS	PART NUMBER	
12	Differential Switch		3-20-6866	Y
13	Tempco 450W Igniter		3-20-00450	Y
14	1" Foil Faced Fiberglass Insulation		3-44-232086	
15	Tube Cleanout Plate	Qty. 2 req.	2-00-232008B	
16	Hopper Stiffener Bracket Left		2-00-232031-1B	
	Hopper Stiffener Bracket Right		2-00-232031-2B	
17	Firebox Refractory Side	Qty. 2 req.	3-40-232010	
18	Burn Pot Scraper		3-99-7498	
19	Water Jacket Gasket	Combustion	3-44-232094-1	
		Long Bottom	3-44-232094-2	
		Short Bottom	3-44-232094-3	
20	Air Pump		3-20-02679	Y
	Fitting & Filter		1-00-02679	Y
21	1/4" Ceramic Paper Feeder Insulation		3-44-232078	
22	3/4" NPT Square Plug	Qty. 4 req.	3-10-00600	
23	Feeder Cover Left		2-00-232096B	
24	3/4" NPT Boiler Drain		3-10-07560	
25	Outer Skin Left		2-00-232026B	
26	Combustion Section Weldment		1-10-232005W	
27	Steel Sleeve Bushing 3/8 OD x 1/2 OAL		3-50-05229	
28	Elevator Bolt 3/8-16 x 1-1/2"	Qty. 4 req.	3-30-937161501	
29	Firebox Cleanout Cover Retainer	Qty. 2 req.	2-00-232056B	
30	Tube Cleanout Cover Plate	Qty. 2 req.	2-00-232052B	Y
31	Tube Cleanout Latch	Qty. 2 req.	2-00-232009L	
32	3/8" Flex Connector	Qty. 2 req.	3-20-1000	
33	Ceramic Insert	Pkg of 10	3-20-05238-10	Y
34	Flame Guide		3-00-03000	Y
35	Burnpot Assembly		1-10-232079A	Y
	Clean Out Cover	2 Sets	1-00-06623	Y
	Thumb Screw	Pkg of 10	3-31-782108-10	Y
36	Ceramic Insert Gasket		3-44-724114	Y
37	Ceramic Insert Plate		2-00-724104	Y
38	Burn Pot Gasket		3-44-724115	Y
39	Firebox Refractory Rear		3-40-232015	Y
40	Firebrick		3-40-232093	Y
41	Firebox Refractory Bottom		3-40-232006	Y
42	Ash Pan Assembly		1-10-232049A	Y

Additional service part numbers on the following page.

IMPORTANT: THIS IS DATED INFORMATION. When requesting service or replacement parts for your appliance please provide model number and serial number. All parts listed in this manual may be ordered from an authorized dealer.



**Stocked
at Depot**

ITEM	Description	COMMENTS	PART NUMBER	
43	Ash Door Assembly		1-10-232019A	
	Ash Door Spacer Set w/Gasket		1-00-232074	
	Glass 5.25 x 5.25		3-40-5555	
	Refractory		3-40-232023	
44	Control Board Plate Assembly		1-10-232055A	
	Control Board		1-00-06143	Y
	Fuse, 6 AMP	Pkg of 5	3-20-49447-5	Y
45	Pressure / Temperature Gauge		3-10-78427	Y
46	Plumbing Assembly		1-10-232080A	
47	Combustion Motor Cover	Pre SN 004490643	2-00-232028A	
		Post SN 004490643	2-00-232028B	
48	Outer Skin Front		2-00-232027B	
49	Combustion Blower		3-21-08639	Y
	Blade 5" Single		3-20-502221	Y
	Combustion Blower Mount		1-10-73416	
50	External Retaining Ring		3-31-004357	
51	Flex Conduit Support Bracket		2-00-232071B	
52	3/8" Flex Conduit		1-00-25043	Y
53	Ash Door Hinge		2-00-232020L	
54	Water Jacket Weldment		1-10-232001W	
55	Spiral Fire Tube Baffle	Pkg of 8	2-00-232053-8	Y
56	ESP Probe		3-20-00844	Y
	Aqua Temp Sensor Cable		3-20-72180	Y
57	1/2" Foam Insulation		3-44-232087	
58	2" Fiberglass Insulation	Qty. 2 req.	3-44-232090	
59	Feeder Cover Right		2-00-232097B	Y
60	Outer Skin Right		2-00-232025B	
61	Spring Latch	Qty. 4 req.	3-31-00927	Y
	3/8"-16 x 1/4" Alloy Steel Black Oxide Cup Point SSS	Pkg of 25	3-30-2014-25	Y
	Circuit breaker 10 Amp (orange - on/off switch)		3-20-334110	Y
	Diagnostic Display Module		3-20-05401	Y
	Draft Meter Assembly		1-00-00637	Y
	Wiring Harness		3-20-232076	Y