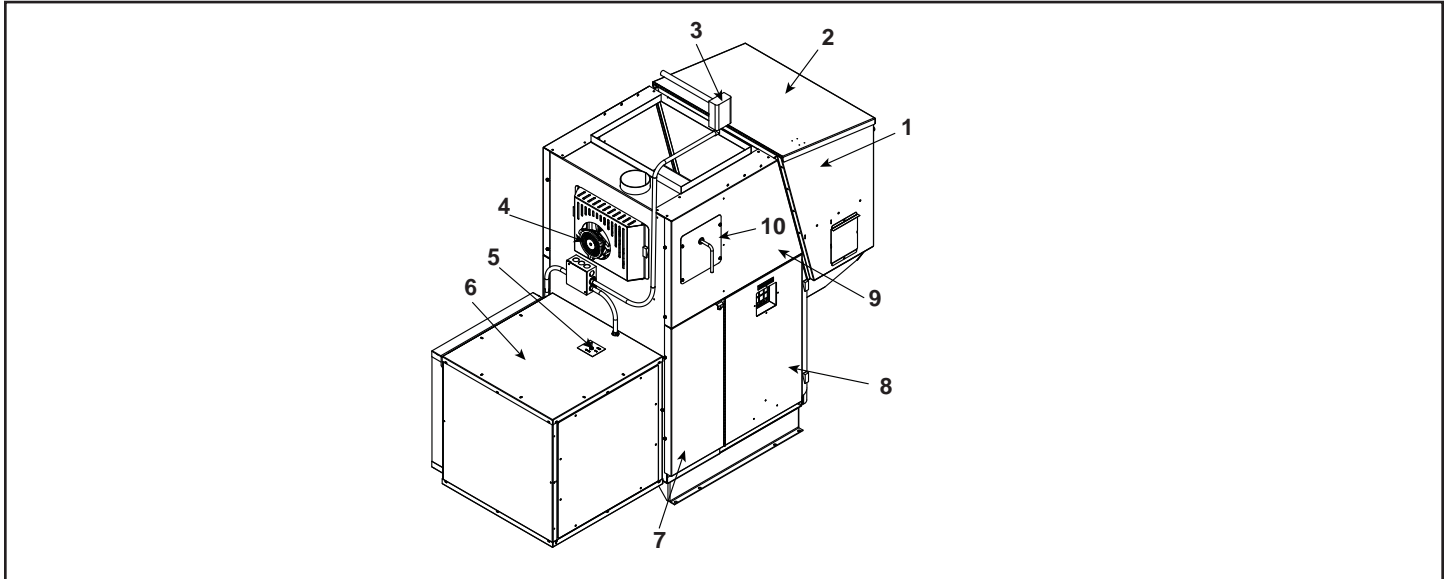


1-70-08100



IMPORTANT: THIS IS DATED INFORMATION. When requesting service or replacement parts for your appliance please provide model number and serial number. All parts listed in this manual may be ordered from an authorized dealer.

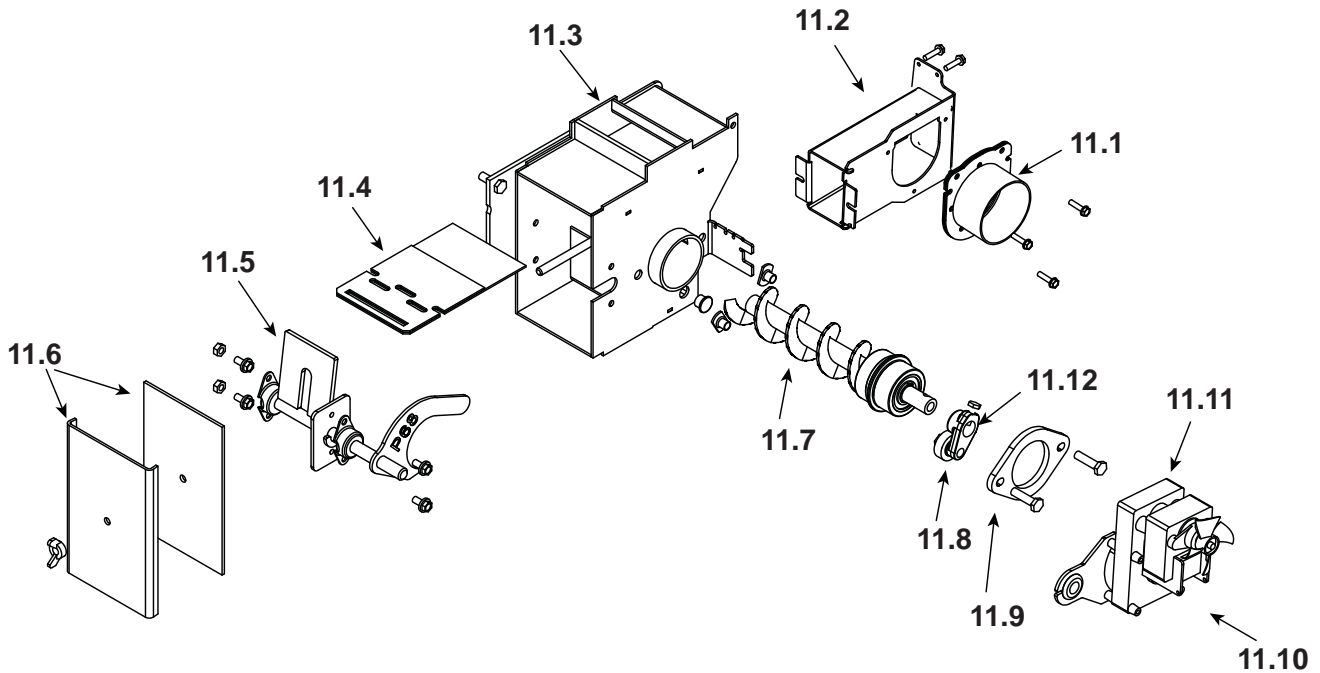


**Stocked
at Depot**

ITEM	Description	COMMENTS	PART NUMBER	
1	Hopper Assembly	Pre 004350582 or 008350087	1-10-73329	
		Post 004350582 or 008350087	1-10-08224A	
2	Hopper Lid Assembly - Swell latch	Pre 004350582 or 008350087	1-10-73333A	
	Hopper Lid Assembly - Spring Latch	Post 004350582 or 008350087	1-10-73491A	
	Swell latch		1-00-199110	Y
	Spring Catch		3-31-00927	Y
	Hopper Muffler and Fittings	1 set	1-00-18186618	Y
	Hopper lid catch		2-00-72166B	
	Gasket, Hopper Lid	10 Ft	1-00-00248	Y
3	Fan Control / High limit		3-20-23139	Y
4	Combustion Blower		3-21-08639	Y
	Comb blower heat shield		2-00-73339	
	Mounting Plate		1-10-73416	
	Fan Blade, 5" Single Paddle (Combustion Blower)		3-20-40985	Y
	Fan Blade, 5" Double (high altitude)		3-20-502221	Y
	Fan Blade, Feed Motor	Pkg of 3	3-20-09302-3	Y
5	Toggle Switch - 3 Speed		3-20-70020	Y
6	Filter box kit		1-00-20201	
7	Bottom Cover	Front	2-00-73338-18S	
		Rear	2-00-73340-18S	
8	Ash Door		1-10-73323-18A	
9	Top Cover	Front	2-00-73411-18S	
		Rear	2-00-73412-18S	
10	Shaker Cover		2-00-73335-18S	

Additional service parts on following page.

#11 Feeder Assembly Pre SN 004350582 or 008350087



IMPORTANT: THIS IS DATED INFORMATION. When requesting service or replacement parts for your appliance please provide model number and serial number. All parts listed in this manual may be ordered from an authorized dealer.

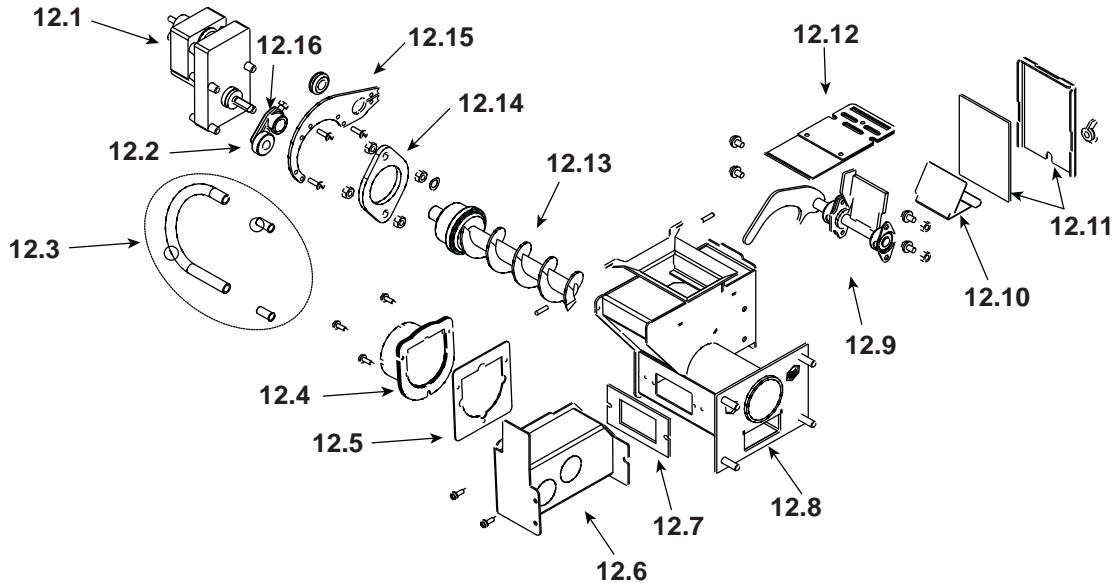


**Stocked
at Depot**

ITEM	Description	COMMENTS	PART NUMBER	
11.1	Air Intake Damper Assembly		1-10-06466W	
11.2	Air Intake Weldment		1-10-773843	
11.3	Feeder Weldment		1-10-677150	Y
11.4	Slide Plate Assembly		1-10-08037	Y
11.5	Pusher Arm Assembly		1-10-08048	Y
11.6	Feed Cover and Gasket	2 Sets	1-00-677152	Y
11.7	Auger Assembly		3-50-00465	Y
11.8	Cam Bearing		3-31-3014	Y
11.9	Bearing Flange w/Hardware		1-00-04035	Y
11.10	Bracket, Gear Motor	Pkg of 2	1-00-01534	Y
11.11	Gear Motor, 6 RPM		3-20-09302	Y
11.12	Cast Cam Block		3-00-00153	Y
	Feeder Repair Kit		1-00-677150	Y
	Gasket Feeder Air Intake	Pkg of 6	3-44-72224-6	Y

Additional service parts on following page.

#12 Post Feeder Assembly SN #004350582 or 008350087



IMPORTANT: THIS IS DATED INFORMATION. When requesting service or replacement parts for your appliance please provide model number and serial number. All parts listed in this manual may be ordered from an authorized dealer.



Stocked
at Depot

ITEM	Description	COMMENTS	PART NUMBER	
12.1	Pellet Feeder Gear Motor, 10 RPM		3-20-02524	Y
12.2	UL Feeder Cam		3-31-3014	Y
12.3	Feeder Air Crossover Kit		1-00-67900	Y
	9MM Silicone Tube	5 Ft	1-00-511427	Y
12.4	Pellet Air Intake Assembly		1-10-06810A	
12.5	Gasket Feeder Air Intake	Pkg of 6	3-44-72224-6	Y
12.6	UL Feeder Air Intake		1-10-72222	
12.7	Gasket Ultra Air Intake	Pkg of 10	3-44-677160-10	Y
12.8	Ultra Feeder Weldment		1-10-72226S	Y
12.9	UL Feeder Pusher Arm		1-10-677187W	Y
12.10	Fines Deflector	No longer available	2-00-677138-10	
12.11	Gasket, UL Feeder Cover		1-00-677122	Y
12.12	Slide Plate Assembly		1-10-677121A	Y
12.13	UL Feeder Auger Assembly		3-50-00565	Y
12.14	Bearing Flange w/Hardware		1-00-04035	Y
12.15	UL Feeder Gear Motor Bracket w/Grommet		1-00-247406	Y
12.16	UL Feeder Cam Block		3-00-677154	Y
	Gasket, Hopper Throat	Pre 004350582 or 008350087	3-44-677185	Y

Additional service parts on following page.

IMPORTANT: THIS IS DATED INFORMATION. When requesting service or replacement parts for your appliance please provide model number and serial number. All parts listed in this manual may be ordered from an authorized dealer.



**Stocked
at Depot**

ITEM	Description	COMMENTS	PART NUMBER	
	A/C double Pole relay		3-20-38056	Y
	Arrow Burn Pot Scraper	Pkg of 10	2-00-773850-10	
	Ash Pan		1-10-73351	Y
	Battery back-up		3-20-512	
	Brick Ledge		1-10-73347W	
	Fire Brick 12 x 6 x 1.25"		3-40-86125	Y
	Burn Pot Weldment		1-10-73546A	Y
	Ceramic Insert	Pkg of 10	3-20-05238-10	Y
	Clean Out Cover	2 Sets	1-00-06623	Y
	Igniter Cradle Assembly	3 Sets	1-00-06620	Y
	Thumb Screw	Pkg of 10	3-31-782108-10	Y
	Gasket, Ceramic Insert Plate	Post 008350087	3-44-724114	Y
	Gasket, Burn Pot	Pre 008350087	1-00-07381	Y
		Post 008350087	3-44-724115	Y
	Flame Guide		3-00-08534	Y
	Flame guide insulator		3-44-35263	Y
	Cable 2 Pair twisted cat 3 (50' for wall control)		3-20-02583	
	Circuit Board		1-00-05888	Y
	Circuit Plate, studded w/label		1-10-07330	
	Control Knob/ Shaft	25 Sets	1-00-015605	Y
	Fuse, 6 AMP	Pkg of 5	3-20-49447-5	Y
	Circuit breaker 10 Amp (orange - on/off switch)		3-20-334110	Y
	Circuit breaker harness - to control board	Pre 008350087	3-20-04947	
		Post 008350087	3-20-73369	
	Diagnostic Display Module		3-20-05401	Y
	Differential Pressure Switch		3-20-6866	Y
	Distribution Blower assembly 1000 Cfm		1-10-01006	Y
	Air filter - 20 x 20 x 1	Pkg of 12	3-40-20201-12	
	Blower assembly 1450 Cfm		1-00-00862	Y
	Blower assembly 1638 Cfm		3-21-19599	
	Distribution Blower mounting bracket	Qty 2 req	2-00-73430B	
	Distribution Blower (motor only) 1000 cfm		3-20-36648	Y
	Draft Meter Assembly		1-00-00637	Y
	ESP (Exhaust Sensing Probe)	Black wires	3-20-11744	Y
	ESP (Exhaust Sensing Probe)	Red wires	3-20-00844	Y
	Gasket, Chain shaker	Pkg of 2	3-44-08100-2	Y
	Heat exchanger baffle - bottom		2-00-73314	Y

Additional service parts on following page.

