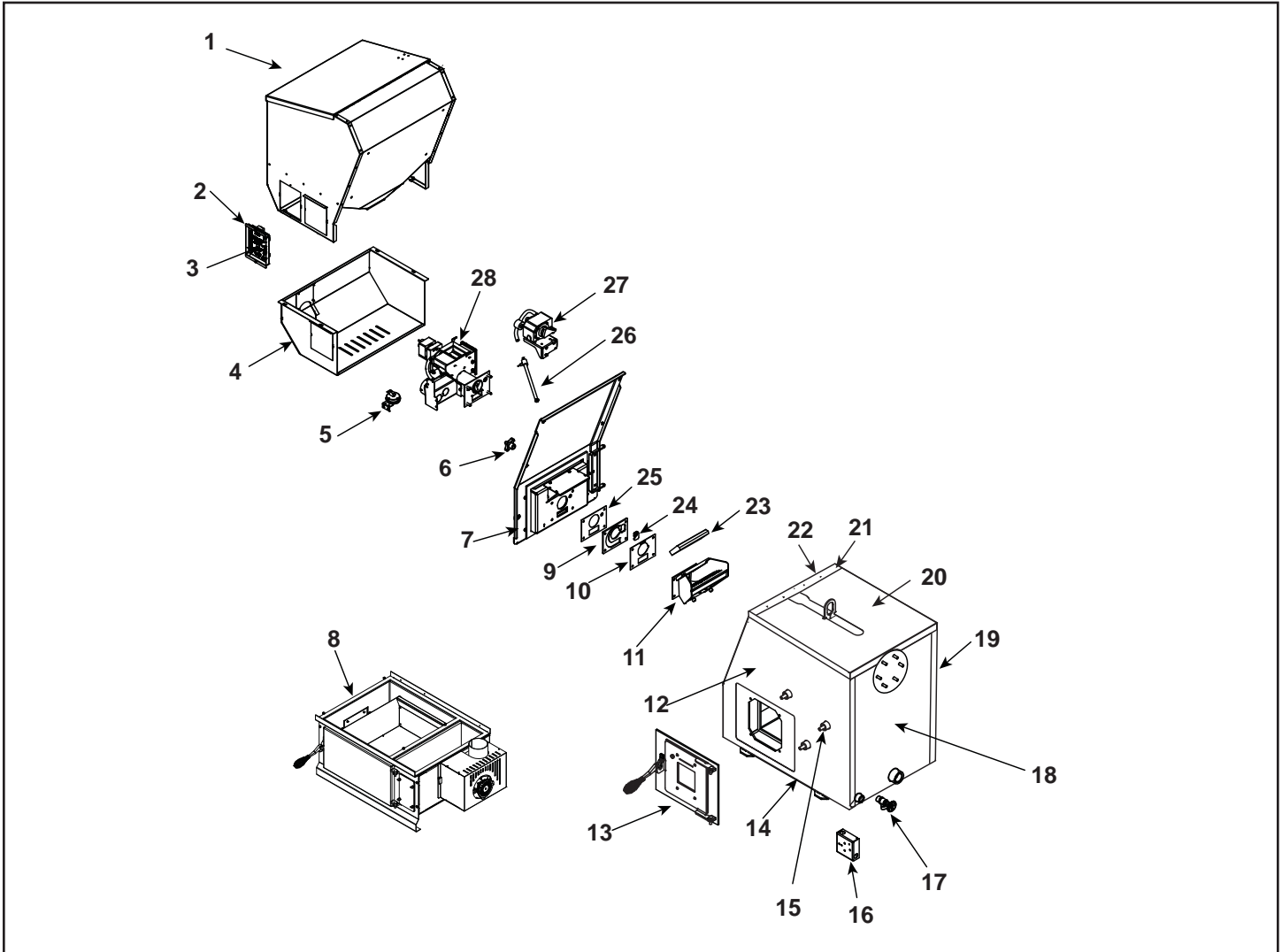


1-90-07205



IMPORTANT: THIS IS DATED INFORMATION. When requesting service or replacement parts for your appliance please provide model number and serial number. All parts listed in this manual may be ordered from an authorized dealer.

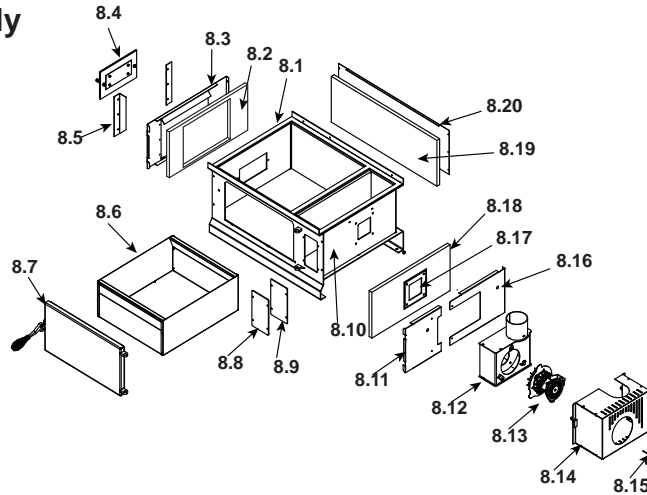


Stocked at Depot

ITEM	DESCRIPTION	COMMENTS	PART NUMBER	
1	Hopper Assembly		1-10-72140A	
	Gasket, Hopper Throat		3-44-677185	Y
	Hopper Lid Spring Latch		3-31-00927	Y
2	Control Board Plate, Studded w/label		1-10-09330	
3	Control Board		1-00-06143	Y
	Control Knob/Shaft	25 Sets	1-00-015605	Y
	Fuse, 6 AMP	Pkg of 5	3-20-49447-5	Y
4	Feeder Cover Assembly		2-00-72158B	
5	Differential Switch		3-20-6866	Y
6	Red Nylon Knob		3-31-72196	
7	Swing Plate Assembly		1-10-72153A	

Additional service part numbers appear on following page.

### #8 Ash Base Assembly



IMPORTANT: THIS IS DATED INFORMATION. When requesting service or replacement parts for your appliance please provide model number and serial number. All parts listed in this manual may be ordered from an authorized dealer.



**Stocked  
at Depot**

ITEM	DESCRIPTION	COMMENTS	PART NUMBER	
8.1	Ash Base Gasket	20 Ft	1-00-88250	Y
8.2	Ash Chamber Insul Left Side		3-44-72182	
8.3	Ash Chamber Jacket Left with Relief Hole		2-00-72125B	
8.4	Relief Door/w Pressure Relief	Pre 008340000	1-10-72209	Y
	Relief Door Assembly	Post 008340000	1-10-72204	
8.5	Sheet Metal Bracket	Qty 2 req	2-00-72203B	
8.6	Ash Pan Assembly		1-10-72129	Y
8.7	Ash Door Assembly		1-10-72137A	Y
8.8	Access Plate w/Gasket		2-00-72132	
	Screw, 1/4-20 x 3/4	Pkg of 100	3-30-1112-100	Y
	Wing Nut. 1/4 -20	Pkg of 25	3-30-8011-25	Y
8.9	Access Plate Gasket only		3-44-72207	Y
8.10	Base Weldment		1-10-00250W	
8.11	Ash Chamber Jacket Right, Left of Comb Hole		2-00-72126B	
8.12	Flue Tunnel Weldment		1-10-72145W	Y
8.13	Combustion Blower		3-21-08639	Y
	Blower Mounting Plate		1-10-73416	
	5" Double Blade		3-20-502221	Y
8.14	105 Blower Heat Shield		2-00-72140A	
8.15	ESP Probe		3-20-00844	Y
	ESP Wiring Extension		3-20-72225	Y
8.16	Ash Chamber Jacket Right, Right of Comb Hole		2-00-72127B	
8.17	Combustion Housing Gasket	5 Sets	1-00-07385	Y
8.18	Ash Chamber Insul Right Side		3-44-72183	
8.19	Ash Chamber Insul Back Side		3-44-72184	
8.20	Ash Chamber Jacket Back		2-00-72124B	

Additional service part numbers appear on following page.

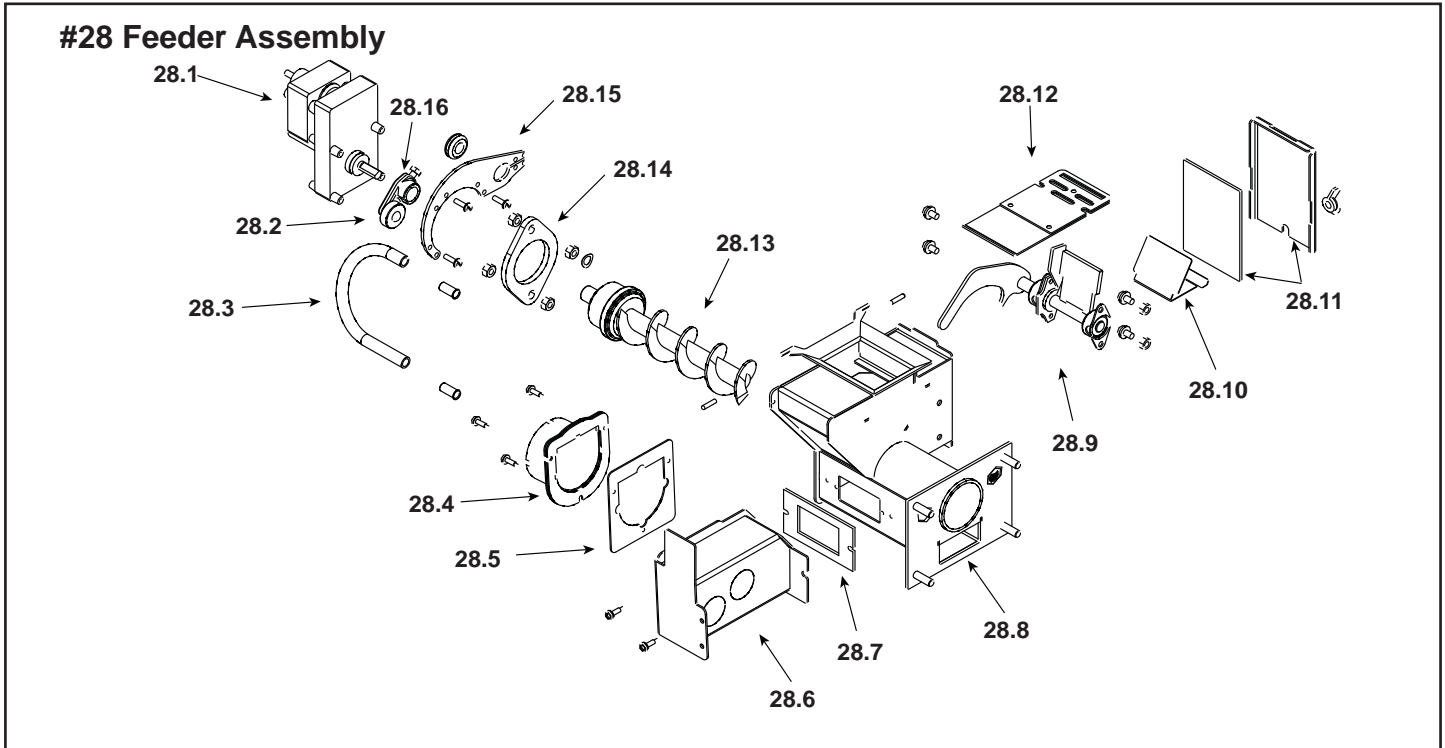
IMPORTANT: THIS IS DATED INFORMATION. When requesting service or replacement parts for your appliance please provide model number and serial number. All parts listed in this manual may be ordered from an authorized dealer.



**Stocked  
at Depot**

ITEM	DESCRIPTION	COMMENTS	PART NUMBER	
9	Ceramic Insert Plate		2-00-724104	Y
10	Ceramic Insert Gasket		3-44-724114	Y
11	Burn Pot		1-10-73546A	Y
	Clean Out Cover	2 Sets	1-00-06623	Y
	Flame Guide		3-00-08534	Y
	Igniter Cradle Assembly	3 Sets	1-00-06620	Y
	Thumb Screw	Pkg of 10	3-31-782108-10	Y
12	Jacket Side Front		2-00-72173B	
	Water Jacket Insulation Front		3-44-72175	
13	View Door Assembly		1-10-72120S	Y
	Mounting Plate Assembly		1-10-72121A	
	View Door Mounting Plate Gasket	10 Ft	1-00-88100	Y
14	Finished Body Weldment		1-89-07205W	
15	Cleanout Rod	Qty. 3 Req.	2-00-01036	Y
	Cleanout Rod Repair Kit		1-00-72210	
	Scraper Rod Guide	Qty. 3 Req.	3-50-72189	Y
16	4 x 4 Steel Box		3-20-52171	
17	1/2" NPT Boiler Drain	Pre 008341121	3-10-05060	
	3/4" NPT Boiler Drain	Post 008341121	3-10-07560	
18	Jacket Side Right		2-00-72171B	
	Water Jacket Insulation Right		3-44-72177	
19	Jacket Backside		2-00-72174B	
	Water Jacket Insulation Back		3-44-72178	
20	Jacket Top		2-00-72172B	
	Water Jacket Insulation Top		3-44-72179	
21	Jacket Top Angle		2-00-72170B	
22	Water Jacket Insulation Left		3-44-72176	
23	Flame Guide Insulator		3-44-35263	Y
24	Ceramic Insert	Pkg of 10	3-20-05238-10	Y
25	Burn Pot Gasket		3-44-724115	Y
26	306W/120V Igniter	Pre 008341121	3-20-677200	Y
	Tempco 450W Igniter	Post 008341121	3-20-00450	Y
27	Air Pump	Post 008341121	3-20-02679	Y
	Air Pump Filter/Fittings		1-00-02679	Y
	Bracket		2-00-853500B	Y
	Feet	Pkg of 4	3-20-02679-4	

Additional service part numbers appear on following page.



IMPORTANT: THIS IS DATED INFORMATION. When requesting service or replacement parts for your appliance please provide model number and serial number. All parts listed in this manual may be ordered from an authorized dealer.



**Stocked  
at Depot**

ITEM	Description	COMMENTS	PART NUMBER	
28.1	6RPM Gear Motor	Pre 008341121	3-20-09302	Y
	Pellet Feeder Gear Motor, 10RPM	Post 008341121	3-20-02524	Y
	Feed Motor Fan Blade	Pkg of 3	3-20-09302-3	Y
28.2	UL Feeder Cam		3-31-3014	Y
28.3	Feeder Crossover Kit		1-00-67900	Y
	9MM Silicone Tube	5 Ft	1-00-511427	Y
28.4	Pellet Air Intake Assembly		1-10-06810A	
28.5	Gasket Feeder Air Intake	Pkg of 6	3-44-72224-6	Y
28.6	UL Feeder Air Intake		1-10-72222	
28.7	Gasket Ultra Air Intake	Pkg of 10	3-44-677160-10	Y
28.8	Ultra Feeder Weldment		1-10-72226S	Y
28.9	UL Feeder Pusher Arm		1-10-677187W	Y
28.10	Fines Deflector	<b>No longer available</b>	2-00-677138-10	
28.11	Gasket, UL Feeder Cover	Set of 2	1-00-677122	Y
28.12	Slide Plate Assembly		1-10-677121A	Y
28.13	UL Feeder Auger Assembly		3-50-00565	Y
28.14	Bearing Flange w/Hardware		1-00-04035	Y
28.15	UL Feeder Gear Motor Bracket w/Grommet		1-00-247406	Y
28.16	UL Feeder Cam Block		3-00-677154	Y

Additional service part numbers appear on following page.

IMPORTANT: THIS IS DATED INFORMATION. When requesting service or replacement parts for your appliance please provide model number and serial number. All parts listed in this manual may be ordered from an authorized dealer.



**Stocked  
at Depot**

ITEM	DESCRIPTION	COMMENTS	PART NUMBER	
<div style="display: flex; justify-content: space-between;"> <div style="width: 30%;"> <p><b>#29 Boiler Kit</b></p> <p>29.1 </p> <p>29.2 </p> <p>29.3 </p> </div> <div style="width: 30%;"> <p><b>#30 WaterPlate kit</b></p> <p>30.1 </p> <p>30.2 </p> <p>30.3 </p> </div> <div style="width: 30%;"> <p><b>#31 Handle Kit</b></p> <p>31.1 </p> </div> </div>				
29.1	Press Temp Guage Bottom Mount		3-10-78422	Y
29.2	Immersion Well Well11A-601R		3-10-935111	Y
29.3	Pressure Relief Valve		3-10-77382	Y
	Boiler Coil assembly		1-00-07006	
	Boiler Coil Washer	Pkg of 2	1-00-07007	
30.1	Water Plate Gasket		3-10-24758	Y
30.2	Steel Water Plate		2-00-01076L	
30.3	7/16-14 Grade 8 Yellow Zinc Finished Hex Nut	Pkg of 25	3-30-8009-25	Y
31.1	Spring Handle .500 Dia	Pkg of 3	3-40-00086-3-3	
	Aqua Temp Sensor		3-20-72180	Y
	Diagnostic Dsisplay Module		3-20-05401	Y
	Draft Meter Assembly		1-00-00637	Y
	Rubber Grommet (Hopper Lid)	10 Ft	1-00-00248	Y
	3/8X13/8 RHST RIVET	Pkg of 20	3-30-3020-20	Y
	Door Latch Kit			
	Door Latch with Hardware	2 Sets	1-00-00036	Y
	5/16"-24 Grade 8 Yellow Zinc Finished Hex Nut	Pkg of 50	3-30-8007-50	Y
	5/16"-24 x 3/4" Alloy Steel Black Oxide ButtonHeadCapScrew	Pkg of 50	3-30-3018-50	Y
	Outdoor Air Extension		3-20-72181	
	Outdoor Air Temp Sensor		3-20-72180	Y
	Outdoor Air Wiring- CAT 3 Cable	100 Ft	3-20-02583	
	Wiring Harness	Pre 008341121	3-20-72195	
		Post 008341121	3-20-72230	
<b>Hardware Packages</b>				
	Nut, 1/4"-20 Zinc Plated Finished Hex	Pkg of 100	3-30-8004-100	Y
	Nut,1/4-20 Zinc Plated Nylon Insert Lock	Pkg of 100	3-30-8022-100	Y
	Nut,5/16"-18 Grade 8 Yellow Zinc Finished Hex	Pkg of 100	3-30-8006-100	Y
	Screw, #8-18 x 1/2" Hex Washer Head Self Drilling Zinc #2 Pt.	Pkg of 100	3-30-5002-100	Y
	Screw, 1/4-20 x 1" Grade 5 Zinc Plated Hex Cap	Pkg of 50	3-30-1115-50	Y
	Washer,1/4" Zinc Plated Split Lock	Pkg of 100	3-30-0100-100	Y
	Washer,5/16" Zinc Plated External Lock	Pkg of 100	3-30-0303-100	Y
	Washer,#10-16 x 3/4" Hex Head TEKS 3 SDS Climaseal Plated	Pkg of 100	3-30-5004-100	Y
	Wingscrew with Collar, 1/4-20 x 1-1/2"	Pkg of 10	3-31-782124-10	Y