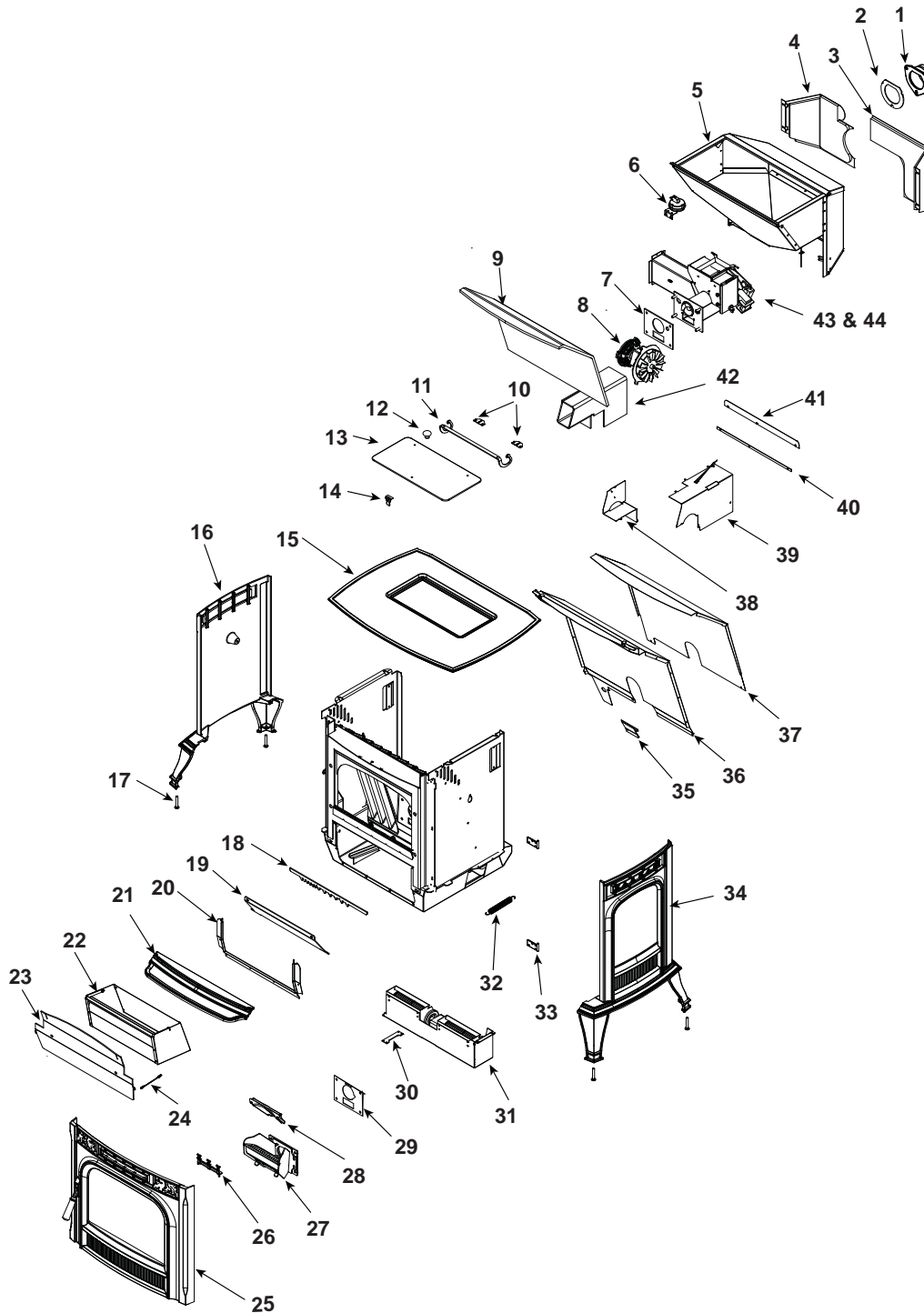


Active

1-90-00677-1 (Black),
1-90-00677-14 (Majolica Brown)
1-90-00677-19 (Bronze)

Retired units:

1-90-00677-2 (Charcoal) (June 2011)
1-90-00677-3 (Goldenfire) (June 2011)
1-90-00677-4 (Metallic Blue) (Jan 2010)
1-90-00677-5 (Honey Glo)(June 2009)
1-90-00677-10 (Mojave Red) (Jan 2010)
1-90-00677-12 (Forest Green)(Jan 2010)
1-90-00025-2 (25th Anniversary Edition) (June 2009)



Part number list on following page.

IMPORTANT: THIS IS DATED INFORMATION. When requesting service or replacement parts for your appliance please provide model number and serial number. All parts listed in this manual may be ordered from an authorized dealer.



**Stocked
at Depot**

ITEM	DESCRIPTION	COMMENTS	PART NUMBER	
1	Pellet Tailpipe Cast		3-00-247237	Y
2	Gasket, Tail Pipe/Burn Pot	Pkg of 5	1-00-07381	Y
3	Right Feeder Shield		1-10-677085A	Y
4	Left Feeder Shield		1-10-677084A	Y
5	Hopper Assembly	Pre 12871	1-10-677800A	Y
		Post 12871	1-10-677190A	Y
	Gasket, Hopper Top		1-00-375501	Y
	Hopper Switch		3-20-232108	Y
6	Differential Switch		3-20-6866	Y
7	Gasket, Burn Pot/Tailpipe	Pkg of 5	1-00-07381	Y
8	Combustion Blower		3-21-08639	Y
	5" Double Blade		3-20-502221	Y
	Mounting Plate		1-10-677006	
9	Hopper Insulation		3-44-677037	
10	Hopper Hinge Plate	Qty. 2 Req.	2-00-06695L	
11	Hinge		2-00-06694	
12	Hopper Knob	Gold	3-43-02000	
		Brushed Nickel	3-43-02000-8	
13	Hopper Lid, Glass		3-40-247100	Y
14	Hopper Lid Latch (Male and Female)	2 Sets	1-00-0669697	Y
	Hopper Lid Gasket		1-00-375501	Y
	Screw Post Kit	20 Sets	1-00-129004	Y
15	Top	Plain	4-00-677057P	
		Bronze	1-10-677057-19	
	Top, Brown	Pre 008206292	1-10-677057-14V	
		Post 008206292	1-10-677057-14	
16	Left Side	Plain	4-00-677055P	
		Bronze	1-10-677055-19	
	Left Side, Brown	Pre 008206292	1-10-677055-14V	
		Post 008206292	1-10-677055-14	
17	Leveler Feet	Pkg of 4	1-00-12302	
18	Airwash Reducer		1-00-677300	
19	Ash Door Stop		2-00-677096B	
20	Ash Door Gasket Retainer		2-00-677025B	
21	Ashlip	Plain	4-00-677058P	
		Bronze	1-10-677058-19	
	Ashlip, Brown	Pre 008206292	1-10-677058-14V	
		Post 008206292	1-10-677058-14	

Additional service part numbers appear on following page.

IMPORTANT: THIS IS DATED INFORMATION. When requesting service or replacement parts for your appliance please provide model number and serial number. All parts listed in this manual may be ordered from an authorized dealer.



**Stocked
at Depot**

ITEM	DESCRIPTION	COMMENTS	PART NUMBER	
22	Ash Pan		1-10-677044	Y
23	Ash Door Weldment		1-10-677026A	
24	Cable Lanyard		3-31-677070	
25	Load Door Assembly	Plain	1-10-677099A	Y
		Bronze	1-10-677099A-19	Y
	Load Door Assembly, Brown	Pre 008206292	1-10-677099-14V	Y
		Post 008206292	1-10-677099A-14	Y
	Door Only w/Rope	Plain	4-00-674053A	Y
	Door Only w/Rope, Brown	Pre 008206292	4-00-674053-14S	Y
		Post 008206292	4-00-674053-14A	Y
	Door Rope	30 Ft	1-00-00888	Y
	Air Grill	Plain	3-00-677004P	
	Door Glass		3-40-677000	Y
	Glass Clips and Hardware	Pkg of 4	1-00-249140	Y
	Glass Rope	10 Ft	1-00-1186258229	Y
	Handle Assembly (2 Sets) Contains: Handle, 6 mm Washer, SHCS, handle, Dowel, Plunger, SSS, Bhcs		1-00-249119	Y
	Wooden Handle	Pkg of 2	1-00-00249	Y
26	Letters		2-00-677022S	
27	Burn Pot		1-10-00675	Y
	Clean Out Cover	2 Sets	1-00-06623	Y
	Thumb Screw	Pkg of 10	3-31-782108-10	Y
28	Flame Guide		3-00-03000	Y
29	Ceramic Insert Gasket		3-44-724114	Y
30	Distribution Blower Mount Plate		2-00-677006L	
31	Distribution Blower		3-21-29045	Y
	Wire Kit (Needed for Bay Motor to EBM)	Sn #008201607 THRU 008202619	1-00-29045	Y
	Distribution Blower Box		2-00-677023B	
32	Extension Spring		3-31-2181	
33	Hinge Plate	Qty. 2 req.	3-00-674047	
34	Right Side	Plain	4-00-677056P	
		Bronze	1-10-677056-19	
	Right Side, Brown	Pre 008206292	1-10-677056-14V	
		Post 008206292	1-10-677056-14	
35	Air Jacket Filler Plate		2-00-677039B	
36	Air Jacket		2-00-677035B	
37	Hopper Heat Shield		2-00-677038B	
38	Distribution Blower Heat Shield		2-00-677041B	

Additional service part numbers appear on following page.

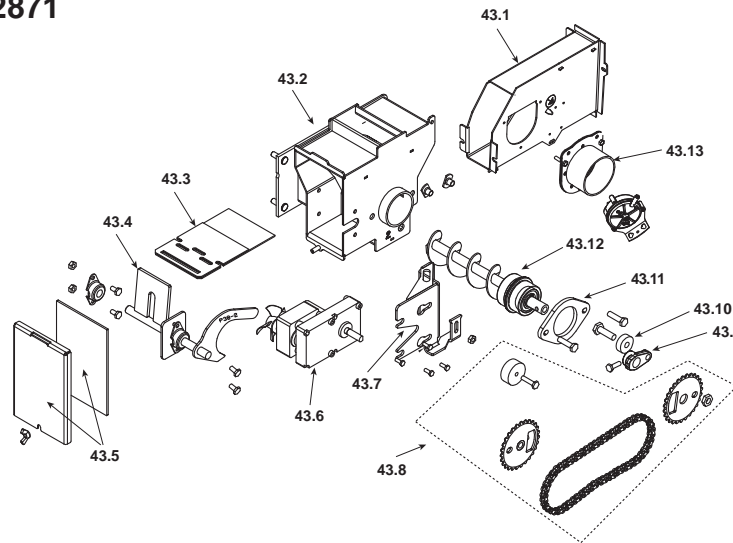
IMPORTANT: THIS IS DATED INFORMATION. When requesting service or replacement parts for your appliance please provide model number and serial number. All parts listed in this manual may be ordered from an authorized dealer.



**Stocked
at Depot**

ITEM	Description	COMMENTS	PART NUMBER
39	Combustion Box Heat Shield		2-00-677040B
40	Rear Shield Spacer		2-00-677087L
41	Rear Shield Retainer		2-00-677086L
42	Combustion Assembly Insulation		3-44-677042

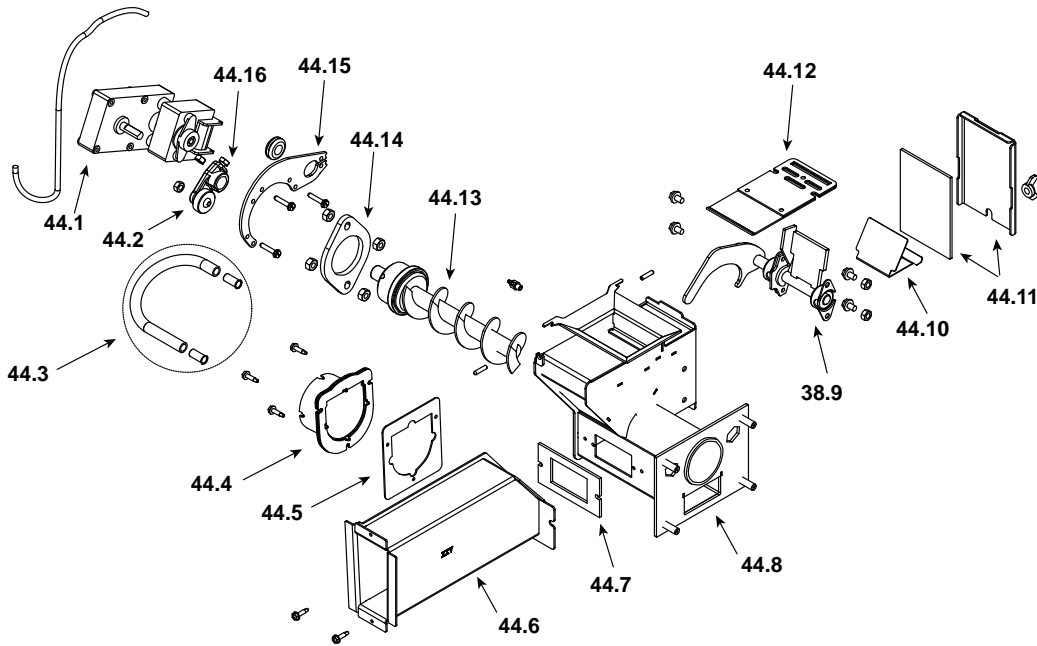
#43 Feeder Assembly Pre Serial Number 12871



43	Feeder Assembly	Pre 12871	1-10-677153A	
43.1	Air Intake Weldment		1-10-677016W	
43.2	Feeder Weldment		1-10-677150	Y
43.3	Slide Plate Assembly		1-10-08037	Y
43.4	Pusher Arm Assembly		1-10-01530	Y
43.5	Feed Cover and Gasket	2 Sets	1-00-677152	Y
43.6	Gear Motor, 4 RPM		3-20-08752	Y
43.7	Bracket, Gear Motor		1-10-677005	Y
43.8	Sprocket Replacement Kit		1-00-06626	Y
	3/4 Feeder Tensioner		3-31-00075	
43.9	Cast Cam Block		3-00-00153	Y
43.10	Cam Bearing		3-31-3014	Y
43.11	Bearing Flange w/Hardware		1-00-04035	Y
43.12	Auger Assembly		3-50-00465	Y
43.13	Air Intake Damper Assembly		1-10-06466W	
	Gasket, Feeder, Air Intake	Pkg of 6	3-44-72224-6	Y
	Feeder Air Crossover Kit		1-00-67900	Y
	Feeder Replacement Kit		1-00-677150	Y

Additional service parts on following page.

#44 Feeder Assembly Post Serial Number 12871



IMPORTANT: THIS IS DATED INFORMATION. When requesting service or replacement parts for your appliance please provide model number and serial number. All parts listed in this manual may be ordered from an authorized dealer.



Stocked
at Depot

ITEM	Description	COMMENTS	PART NUMBER	
44	Feeder Assembly	Post 12871	1-10-677189A	
44.1	Pellet Feeder Gear Motor, 4 RPM		3-20-00677	Y
44.2	UL Feeder Cam Bearing		3-31-3014	Y
44.3	Feeder Air Crossover Kit		1-00-67900	Y
	9MM Silicone Tube	5 Ft	1-00-511427	Y
44.4	Pellet Air Intake Assembly		1-10-06810A	
44.5	Gasket Feeder Air Intake	Pkg of 6	3-44-72224-6	Y
44.6	UL Feeder Air Intake		1-10-677183	
44.7	Gasket Ultra Air Intake	Pkg of 10	3-44-677160-10	Y
44.8	Ultra Feeder Weldment		1-10-724132	Y
44.9	UL Feeder Pusher Arm		1-10-677131W	Y
44.10	Fines Deflector	No longer available	2-00-677138-10	
44.11	Gasket, UL Feeder Cover		1-00-677122	Y
44.12	Slide Plate Assembly		1-10-677121A	Y
44.13	UL Feeder Auger Assembly		3-50-00565	Y
44.14	Bearing Flange w/Hardware		1-00-04035	Y
44.15	UL Feeder Gear Motor Bracket w/Grommet		1-00-247406	Y
44.16	UL Feeder Cam Block		3-00-677154	Y
	Gasket, Hopper Throat		3-44-677185	Y

Additional service parts on following page.

IMPORTANT: THIS IS DATED INFORMATION. When requesting service or replacement parts for your appliance please provide model number and serial number. All parts listed in this manual may be ordered from an authorized dealer.



**Stocked
at Depot**

ITEM	DESCRIPTION	COMMENTS	PART NUMBER	
	Arrow Burn Pot Scraper	Pkg of 10	2-00-773850-10	
	Diagnostic Display Module		3-20-05401	Y
	Draft Meter Assembly		1-00-00637	Y
	Control Board		1-00-05886	Y
	6 Amp Fuse	Pkg of 5	3-20-49447-5	Y
	Knob, Control Board/D-shaft	25 Sets	1-00-015605	Y
	Hopper Muffler and Fitting	1 Set	1-00-18186618	Y
	Igniter		3-20-677200	Y
	Igniter Cradle, Holder, & Flat Bottom	3 Sets	1-00-06620	Y
	Power Cord		3-20-39685	Y
	Rocker Switch		3-20-07625	
	Room Sensor		3-20-00906	Y
	Touch Paint, Enamel Brown	Pre 008206292	3-42-6252	
		Post 008206292	855-1450	
	Touch up Paint, Black	12 oz Can	3-42-1990	
	Touch Up Paint, Bronze		3-42-00019	Y
	Thermister Probe (ESP Probe)	Pre 008200828	3-20-11744	Y
		Post 008200828	3-20-00844	Y
	Thermostat Extension		3-20-00607	Y
	Wiring Harness		3-20-08727	Y
Hardware Packages				
	Bolt, Case Hardened Zinc Flange, 1/4-20 x 3/8	Pkg of 50	3-30-2000-50	Y
	Bolt, Grade 8.2 Zinc Flange SAE, 1/4-20 x 5/8	Pkg of 50	3-30-2002-50	Y
	Nut, Zinc Plated Serrated Flange Lock, 1/4-20	Pkg of 100	3-30-8024-100	Y
	Nut, Grade 5 Zinc Plated Finished Hex, 5/16"-18	Pkg of 100	3-30-8005-100	Y
	Nut, Grade 8 Yellow Zinc Finished Hex, 5/16"-18	Pkg of 100	3-30-8006-100	Y
	Screw, Hex Washer Head TEKS Drill and Tap, #8-18 x 3/4"	Pkg of 100	3-30-5003-100	Y
	Screw, Alloy Steel Black Oxide Cup Point SSS, 1/4"-20 x 1-1/2"	Pkg of 25	3-30-2011-25	Y
	Screw, Alloy Steel Black Oxide SocketHeadCap, 1/4"-20 x 2-1/4"	Pkg of 50	3-30-3006-50	Y
	Screw, BLK OX, HWH TCS 10-24X1/2	Pkg of 100	3-30-1101-100	Y
	Screw, Grade 5 Zinc Plated Hex Cap, 1/4-20 x 1"	Pkg of 50	3-30-1115-50	Y
	Screw, Grade 5 Zinc Plated Hex Cap. 3/8-16 x 1/2"	Pkg of 50	3-30-1132-50	Y
	Screw, Hex Washer Slot T23 Zinc Thread Cutting, 1/4-20x5/8"	Pkg of 50	3-30-1111-50	Y
	Shim Set	Pkg of 4	2-00-677027-4	
	Washer, Zinc Plated USS Flat Washer, 1/4"	Pkg of 100	3-30-0202-100	Y
	Washer, External Lock, 5/16" Zinc Plated	Pkg of 100	3-30-0303-100	Y